

Thank you for purchasing FOUNDATION™ Modular Platform(s)

You've made a great choice. FOUNDATION™ platforms are designed to be easily assembled on-site.

Just follow these step-by-step instructions.



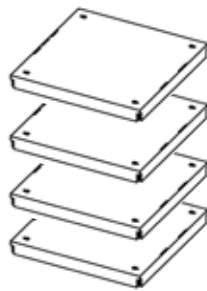
FOUNDATION
by WEARWELL

Before you start, review all of the instructions. Choose where you want to build your platform. Ensure the area is clean and free of debris then determine how you want to orient your platform.

If there is a wall or fixed object the platform will be adjacent to, it is recommended that you start there to prevent problems later in the installation process.

WHAT YOU'LL NEED

FOUNDATION PLATFORM 4" (10 cm)



Tiles x 4



Beam Assembly x 2

PREPARATION

CLEANING, TOOLS & EQUIPMENT



PREPARE THE FLOOR

- FOUNDATION is designed for interior use.
- We recommend you sweep the surface of dust and debris before beginning.

REQUIRED TOOLS & EQUIPMENT

- Rubber mallet
- Safety gloves
- Power drill and 3/16" (5 mm) concrete bit (If securing to floor)
- If customizing you will need a jigsaw or band saw and metal snips

SEE THE PLATFORM INSTALLATION VIDEO



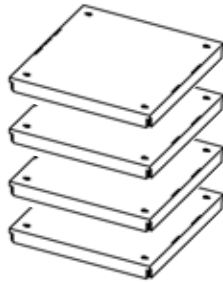
REQUIRED

For safety and stability, parts are designed to fit tight. We suggest a mallet to tap parts into place and gloves are always good practice when handling metal parts.

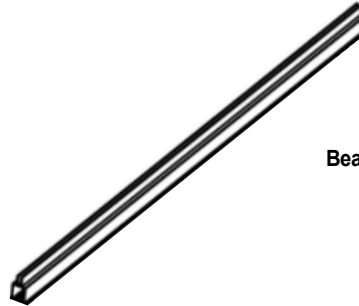
WEARWELL.COM/FOUNDATION

EXTENDING PLATFORM WIDTH

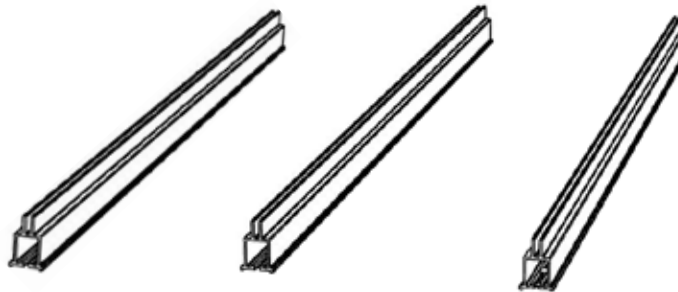
YOU WILL NEED



Tiles x 4



Beam x 1

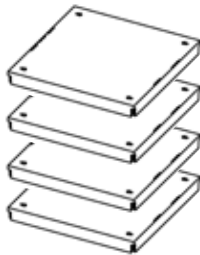


1

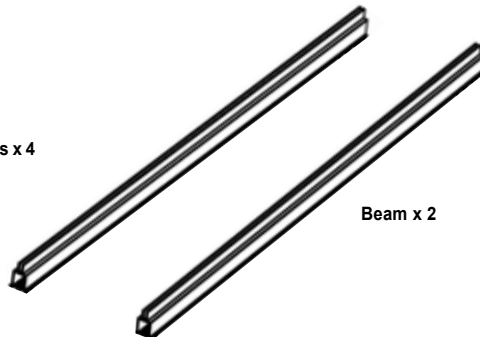
Align leg/beams roughly 18" apart. Next install the tiles.

EXTENDING PLATFORM LENGTH

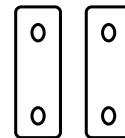
YOU WILL NEED



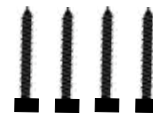
Tiles x 4



Beam x 2

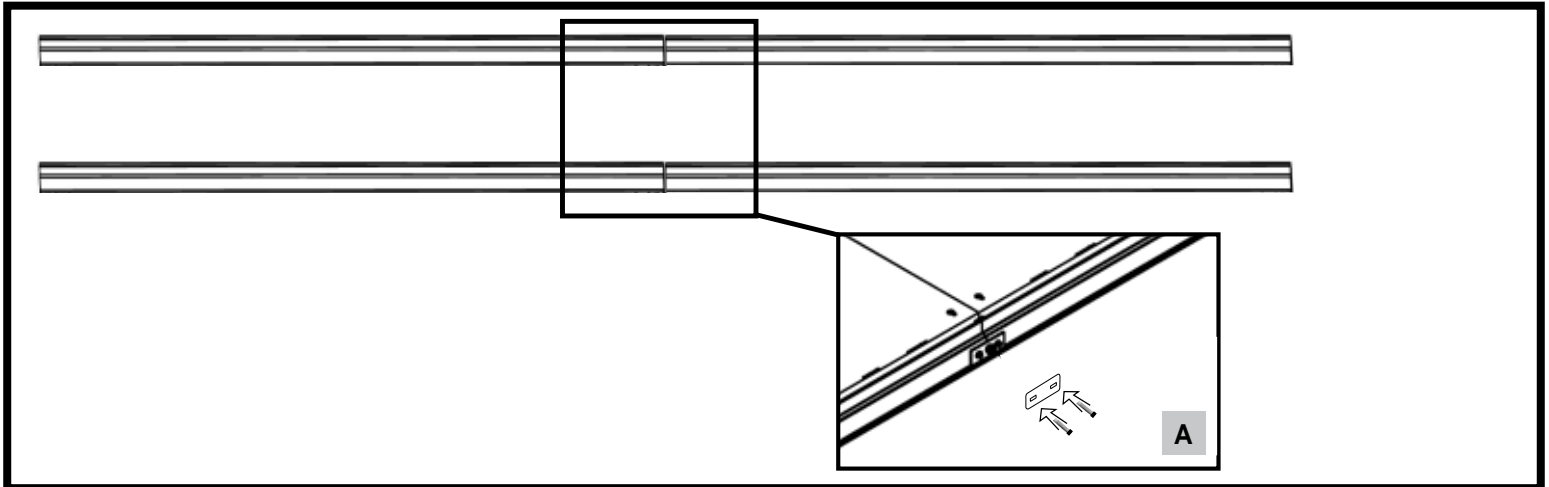


Connector Plate x2



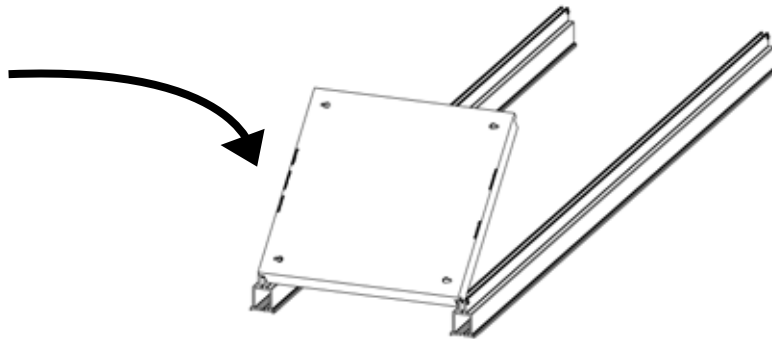
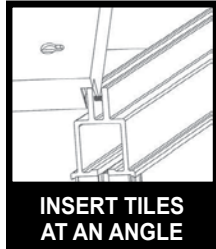
Self Tapping Screw x4

WEARWELL.COM/FOUNDATION

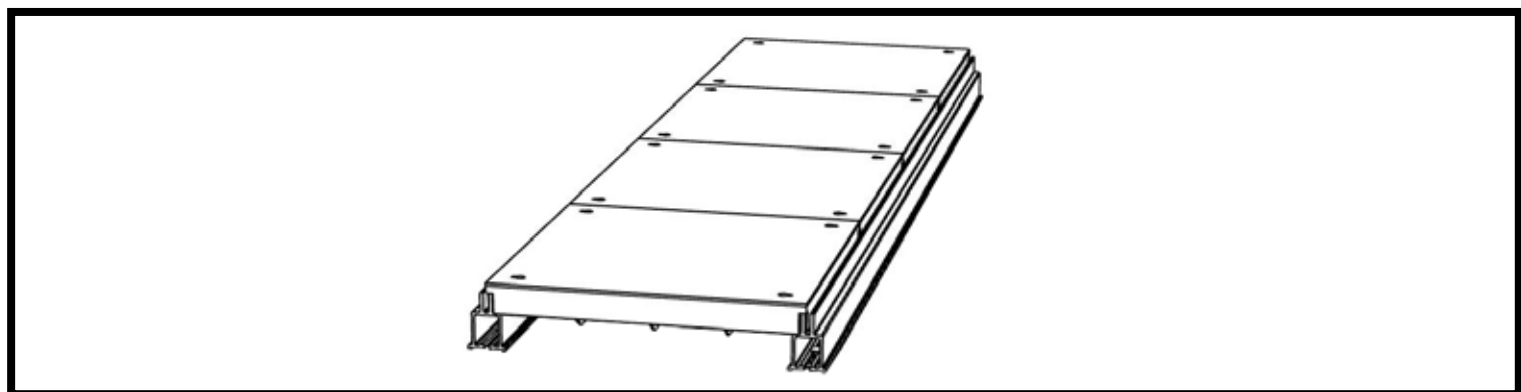


1 Lay out leg/beams end to end and using a power screwdriver, insert the self-tapping screws through the connector plate on each set of beams and secure.

INSTALLING THE TILES

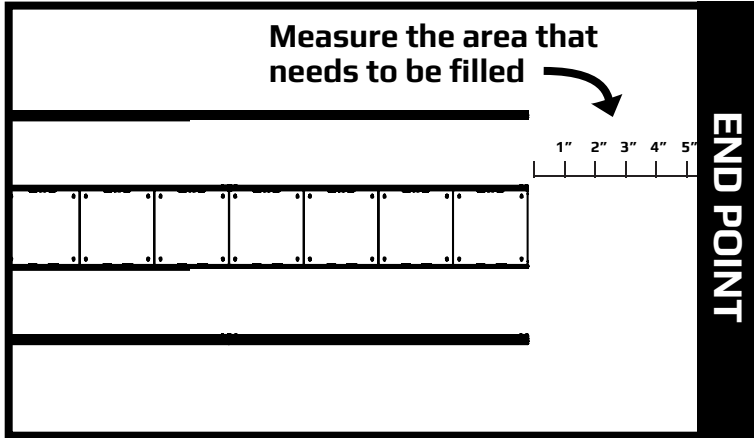


1 Install the first tile at a 45° angle pressing it against the lock screw.

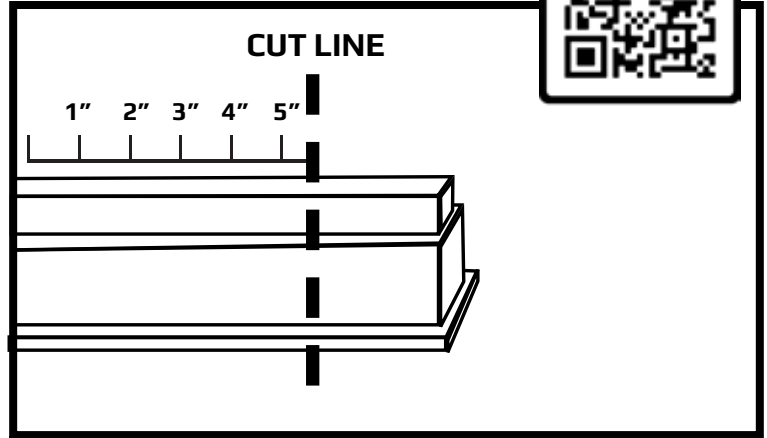


2 Continue with each tile, tapping each with a rubber mallet so that it fits tightly against the previous. Repeat for additional platforms.

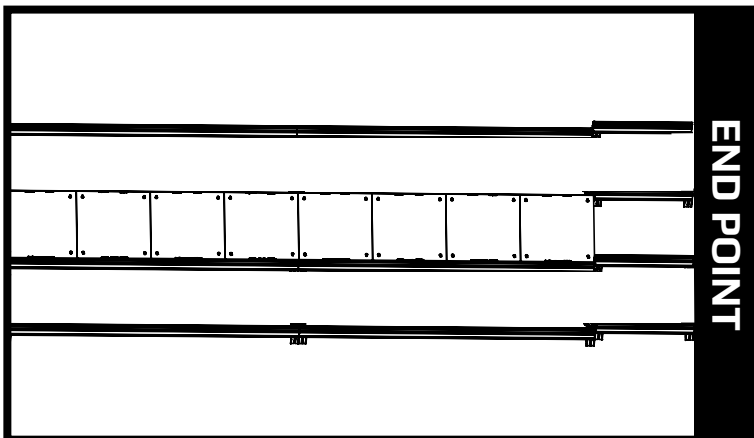
CUSTOMIZING DIY TILE LENGTH



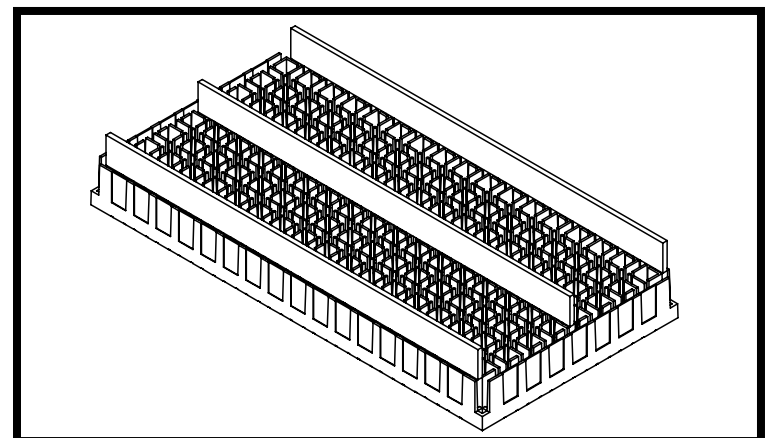
1 Measure the length needed to complete the row.



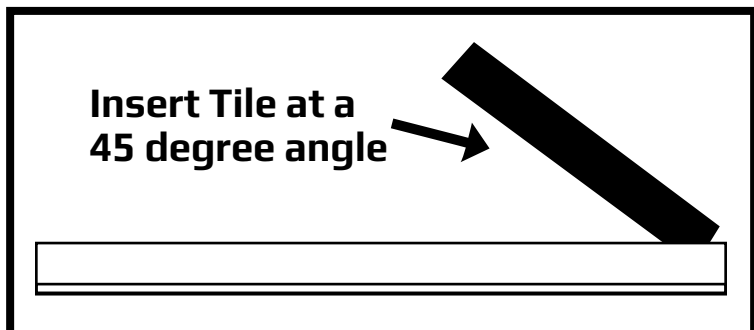
2 Cut the Beam the desired length and remove any burs to prevent cuts.



3 Assemble the frame and place the cut end against the end of the other frames in the row and install Beam Join Kit.

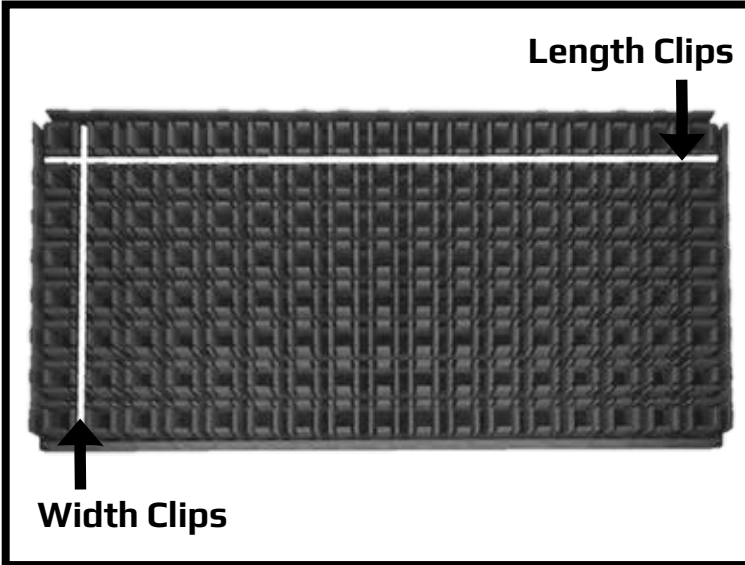


4 The bottom of the DIY Tile is a grid of slots that form the clips. These clips are used to hold the support strips & attach to the beams. Insert one Support Strip into the clip on each outside edge of the tile as shown and one in the middle. Strips must end up running perpendicular to beams.

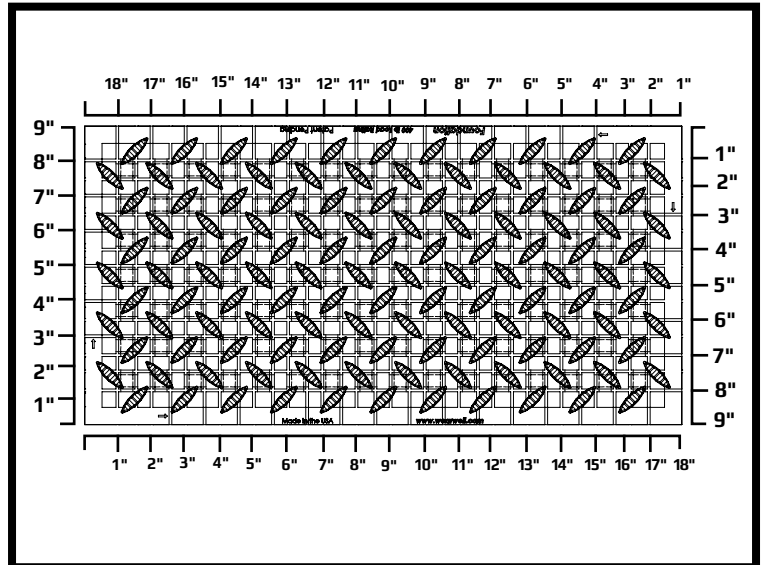


5 Install the tile starting at a 45 degree angle before pressing into place. Do not put a DIY Tile at the edge the platform unless that edge is up against an obstacle. They are not meant to be the edge of a step.

CUSTOMIZING WIDTH

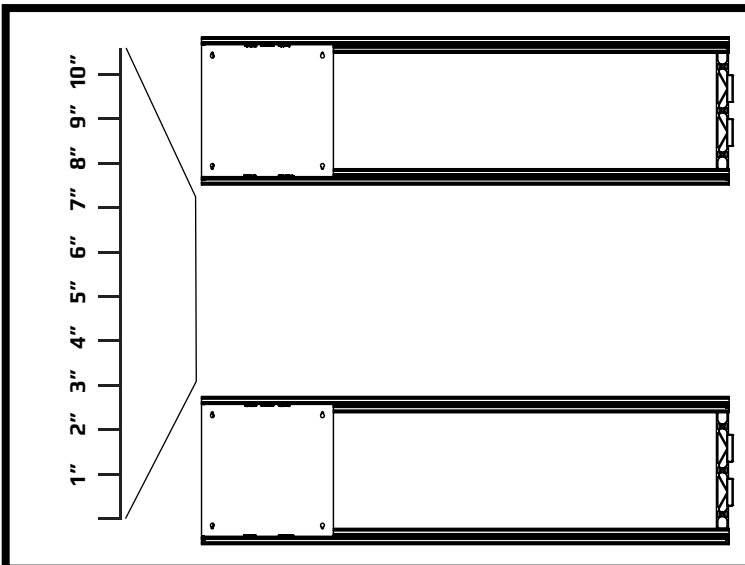


1 The bottom of the DIY Tile is a grid of Clips that slide into the Beam Channel. Beside each of those slots is a groove where you can cut while leaving the tabs that connect the tile to the beam. The support strips also go in these Clips and supply the strength to the DIY Tiles and MUST be installed so that they run between the beams.



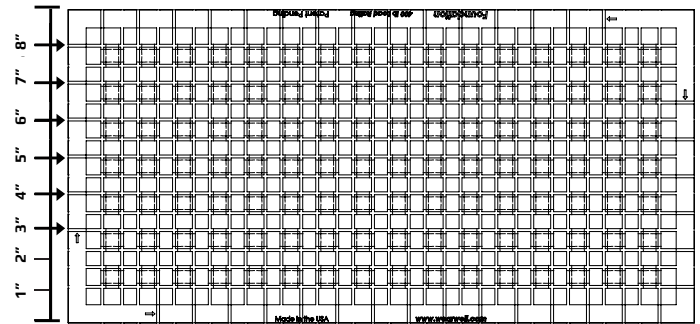
2 The surface of each tile has arrows that point in the direction that the tape should run. The arrow points to the first of a series of lines called cut guides along that side. These coincide with the grooves in the bottom where the tile can be cut and still be able to connect.

For cuts less than 9"



3 Install 1 tile on each of the frames in the rows adjacent to the smaller gap and measure the distance between them.

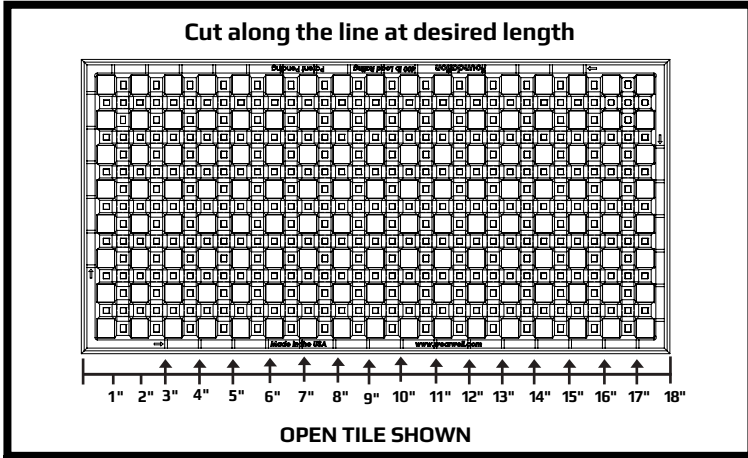
Cut along the line at desired length



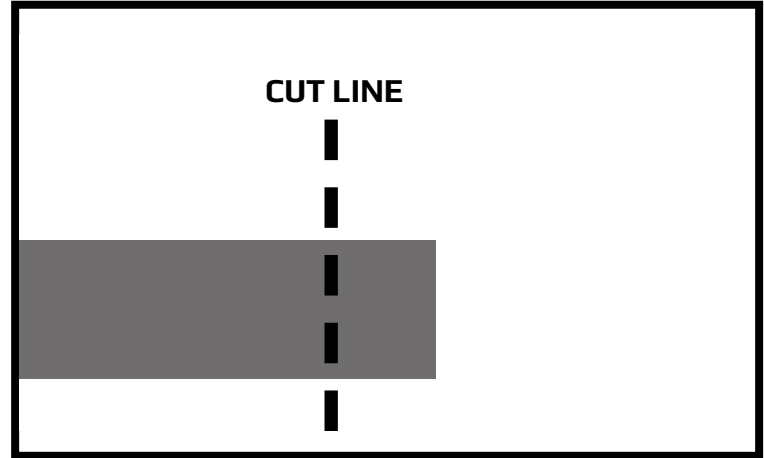
SMOOTH TILE SHOWN

4A Place the tape measure on the top of the DIY Tile you wish to cut with the end up against the bottom left as shown above. The top of the tiles have cut guides molded into them. Find the cut guide line that extends all the way to the edge with the tape on it that is less than or equal to the distance measured in step 3 and cut along that line.

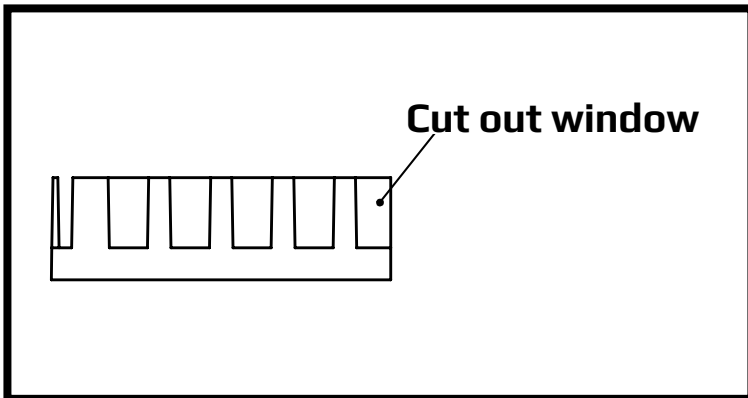
For cuts more than 9"



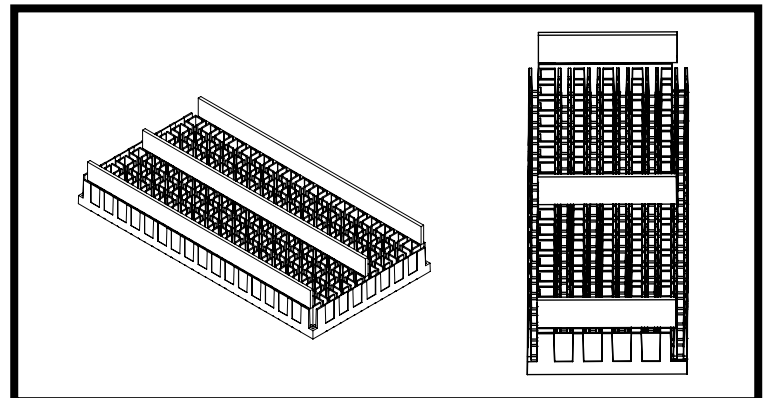
4B Place the tape measure on the top of the DIY Tile you wish to cut with the end up against the bottom left as shown above. The top of the tiles have cut guides molded into them. Find the line that extends all the way to the edge with the tape on it that is less than or equal to the distance measured in step 3 and cut along that line.



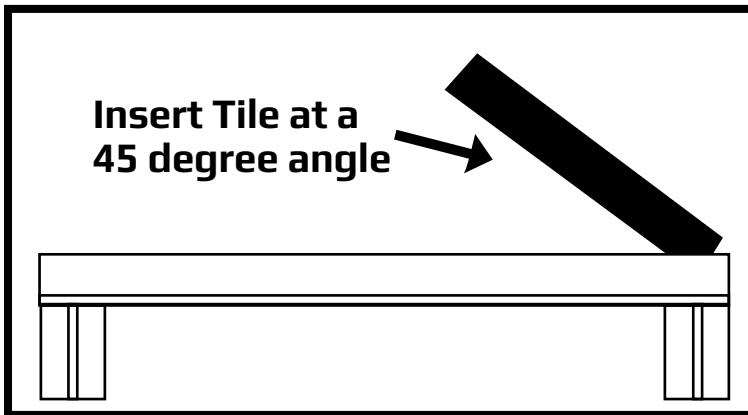
5 Cut support strips 3/4" shorter than the tile was cut.



6 Cut out window on both sides of the tile with snips.



7 Install 1 Support Strip on each outside edge and one in the middle of the DIY Tile so that they will end up perpendicular to the beams the tile is connecting.

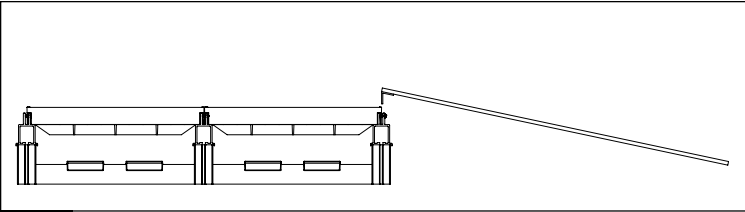


8 Install the tile starting at a 45 degree angle before pressing into place. Repeat as necessary

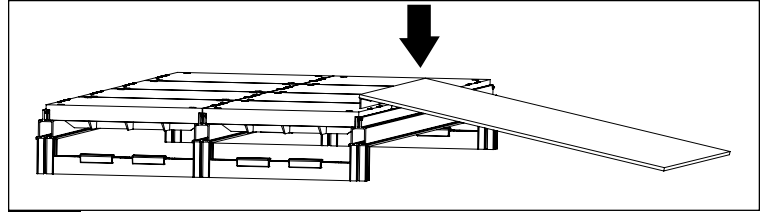
FOUNDATION
by WEARWELL

Visit Us Online at
Wearwell.com/FOUNDATION

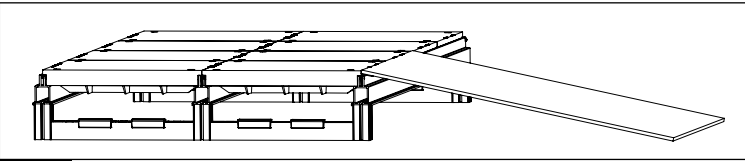
RAMP INSTALLATION



1 Lift the end of the ramp with the angle over the beam where you want to attach the ramp.



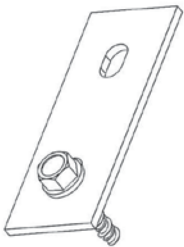
2 Slide the angle between the channel and the edge of the tile.



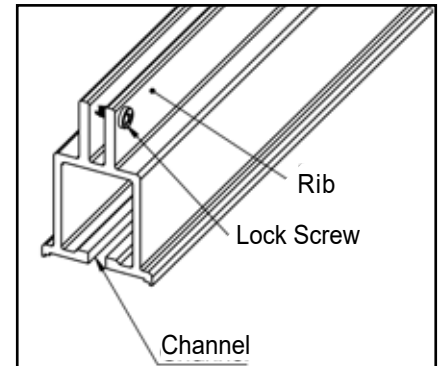
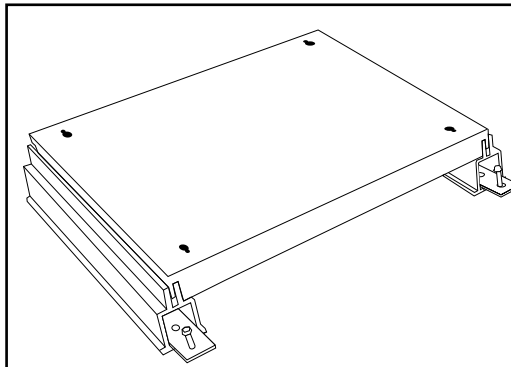
3 Repeat as necessary. Ramps can be placed side to side along a length of beams as desired.

STEP 3 OPTIONAL - ANCHOR THE PLATFORM

YOU WILL NEED

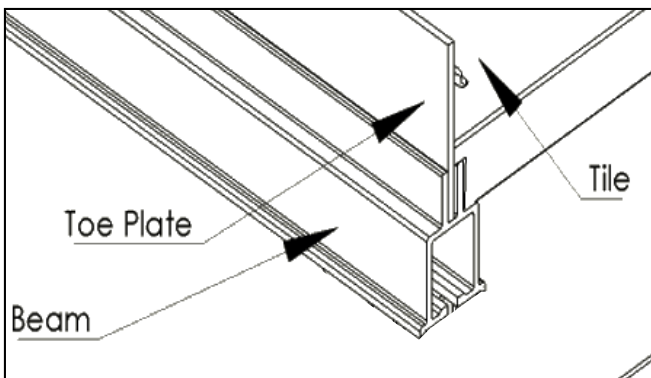


F1 Beam Anchor Kit



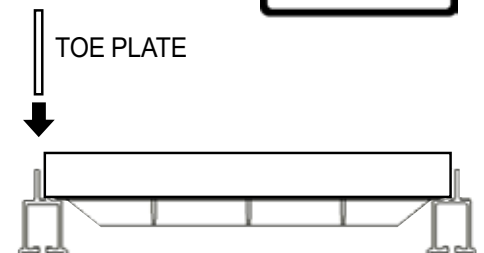
Place the plate into the beam with approximately 1.5" (4 cm) sticking out. Make a mark on the floor that aligns with the hole in the plate. Remove plate and with the 3/16" (5 mm) concrete drill bit drill a hole to a depth of 2" (5 cm), making sure to keep the bit perpendicular to the floor. Vacuum or sweep the debris and replace the plate before screwing the anchor into the hole. Do not overtighten.

TOE PLATE INSTALLATION



SIDE BEAM INSTALLATION

- Using a rubber mallet, insert the toe plate between the tile and the slot next to the tile.
- Ensure the toe plate side beam is secure along the length of the FOUNDATION platform.



WEARWELL.COM/FOUNDATION