

You've made a great choice. FOUNDATION™ platforms are designed to be easily assembled on-site. Just follow these step-by-step instructions.

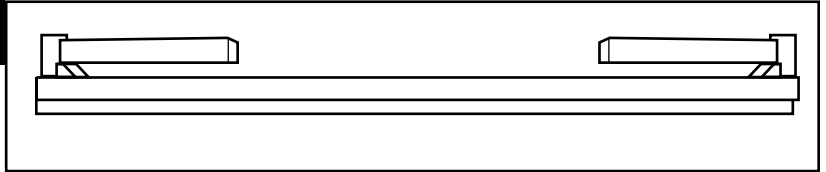


Before you start, review all of the instructions. **If your desired installation width has an EVEN number of tiles you will need to start with a 36" wide kit. If your desired installation width has an ODD number of tiles you will use 18" wide kits throughout.**

If there is a wall or fixed object the platform will be adjacent to, it is recommended that you start there to prevent problems later in the installation process.

BEFORE YOU START!

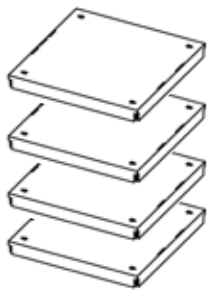
For shipping purposes, the leg cross braces are assembled flush with the leg/beam assembly. Separate the leg cross braces from the leg/beam assembly and reattach them as they are displayed below.



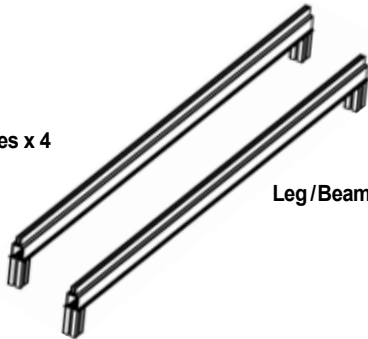
WHAT YOU'LL NEED

FOUNDATION PLATFORM 5"-18" (13 cm - 46 cm)

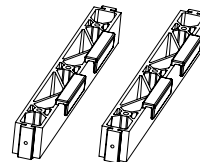
BEAM FEATURES



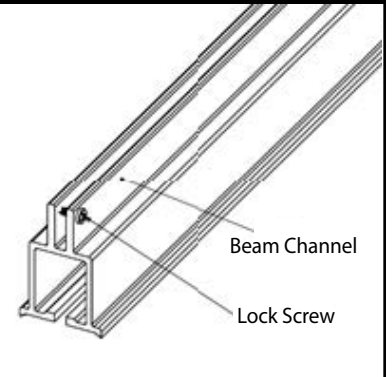
Tiles x 4



Leg/Beam Assembly x 2



Cross Brace x 2



Beam Channel

Lock Screw

AREA PREPARATION

CLEANING, TOOLS & EQUIPMENT



Prepare the Floor

- FOUNDATION is designed for interior use.
- We recommend you sweep the surface of dust and debris before beginning.

REQUIRED TOOLS & EQUIPMENT

- Rubber mallet
- Safety gloves
- Power drill and 3/16" (5 mm) concrete bit (If securing to floor)
- If customizing you will need a jigsaw or band saw and metal snips

REQUIRED

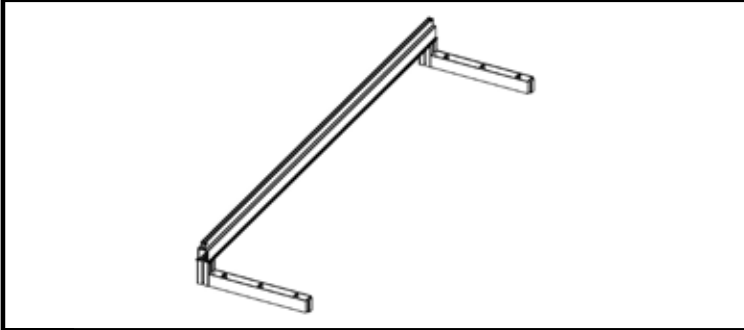
For safety and stability, parts are designed to fit tight. We suggest a mallet to tap parts into place and gloves are always good practice when handling metal parts.

SEE THE PLATFORM INSTALLATION VIDEO

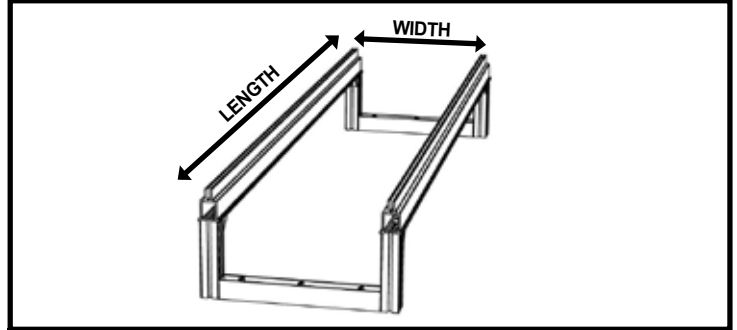


WEARWELL.COM/FOUNDATION

ASSEMBLE THE PLATFORM FRAME

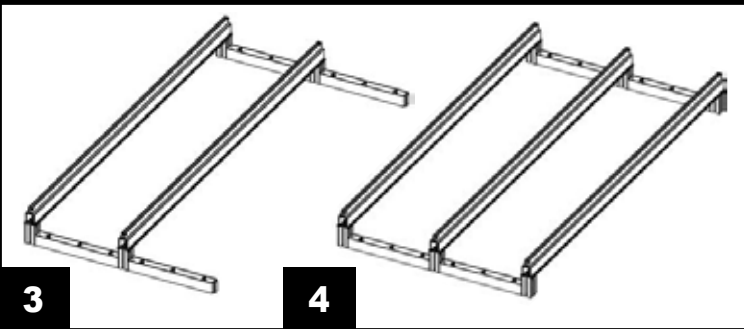


1 Slide the Cross Braces into the slots in the legs as shown. The connectors on the Cross Braces should be oriented in the same direction on both ends of the frame assembly. (If using skirts, see skirt installation instructions)

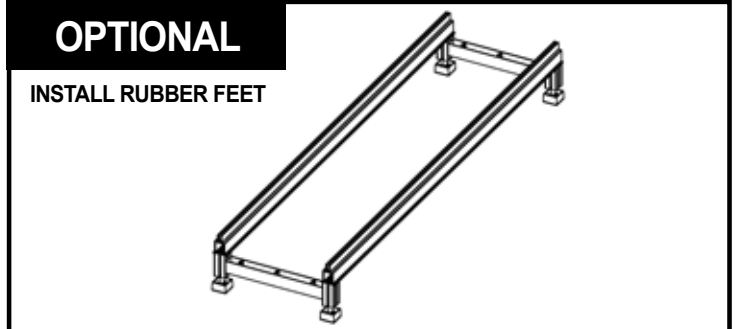


2 Install the second Leg/Beam Assembly.

ASSEMBLE 36" WIDE FRAME



3 Lift each leg and slide the Cross Brace into the slots on leg as shown. Then slide the last Leg/Beam Assembly onto the Cross Braces.



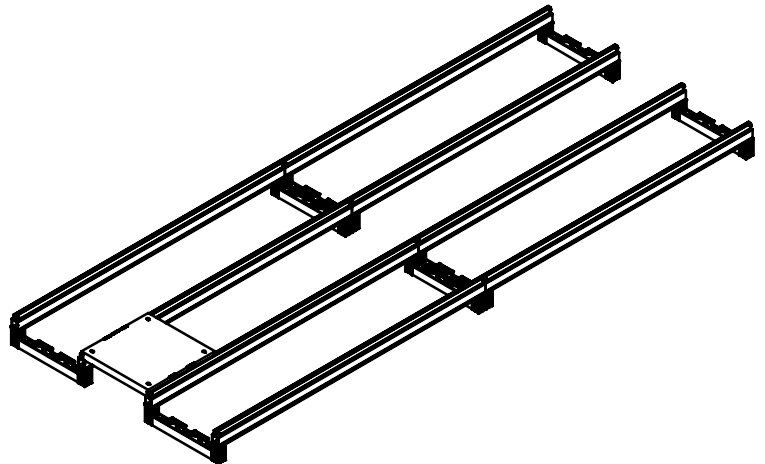
OPTIONAL
INSTALL RUBBER FEET

Slide the Cross Brace up each leg. Lift each leg to slide on each rubber foot.

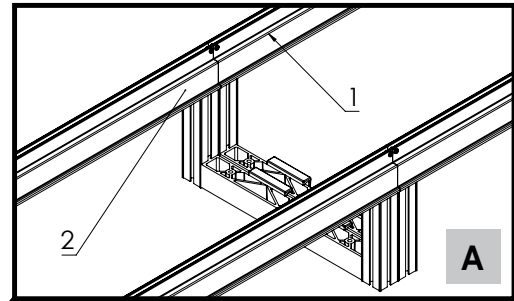
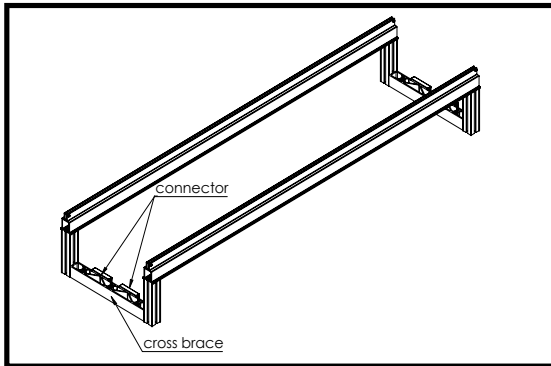
LARGE INSTALLATIONS

Layout the assembled platform frames in rows. Start by connecting 6ft long frames end to end as shown in "Extending the Platform length". Connect as many as needed to fill the length of the area. If at the end of a row you need less than 6ft and you do not have another frame the proper length see "customizing length"

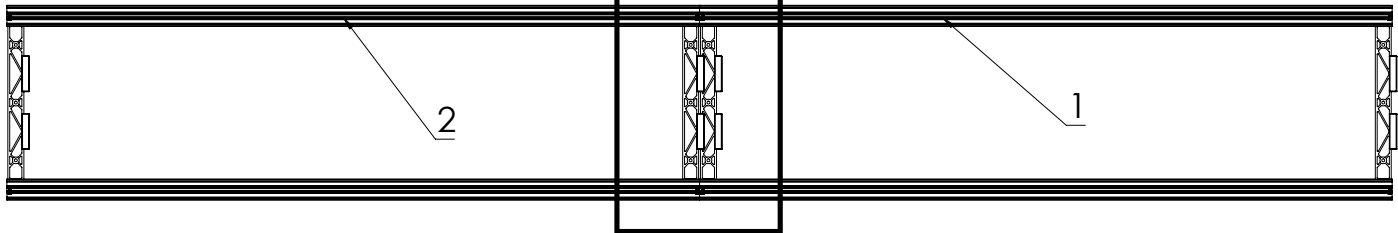
After the first row is set, setup the second row one frame at a time. Connect the new frame to the first row with 18x18 tiles. Repeat process as you place each row. If when placing the last row the gap between the rows of frame kits is less than will allow the 18x18 tile to fit, see "customizing width".



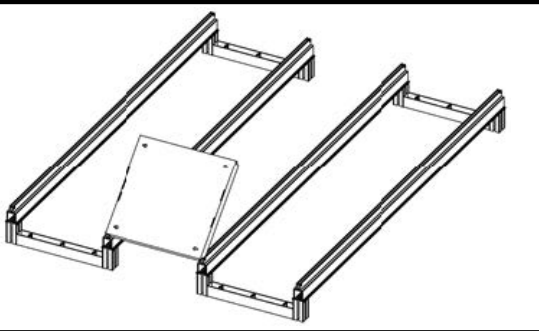
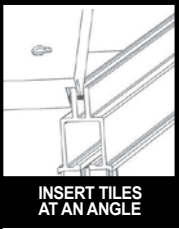
EXTENDING THE PLATFORM LENGTH



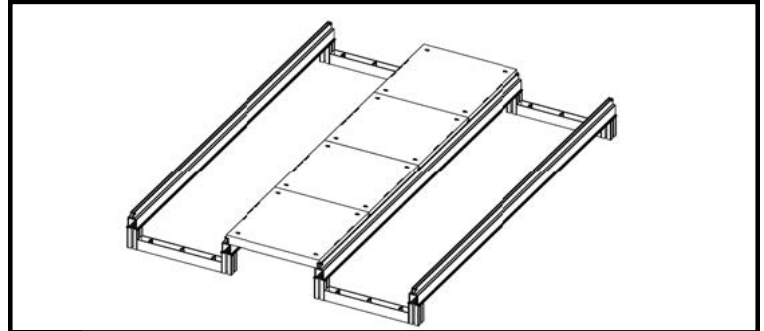
Move the frames where they need to be and position them end-to-end so that the connectors on the Cross Braces can attach. The connectors must be oriented in the same direction on both frames in order to attach. Lift frame 2 and slide connectors over cross brace on frame 1 and press down so that it looks like above.



EXPANDING THE PLATFORM WIDTH

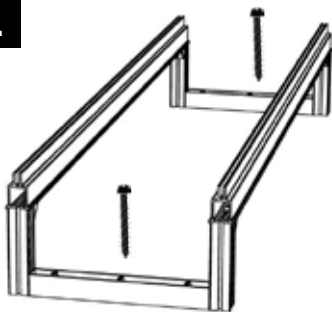


1 Lay out the platform frames so the sides are about 17" apart. Install the tiles between the frames at a 45° angle with the clip of the tile that is going in the beam pressing against the lock screw.

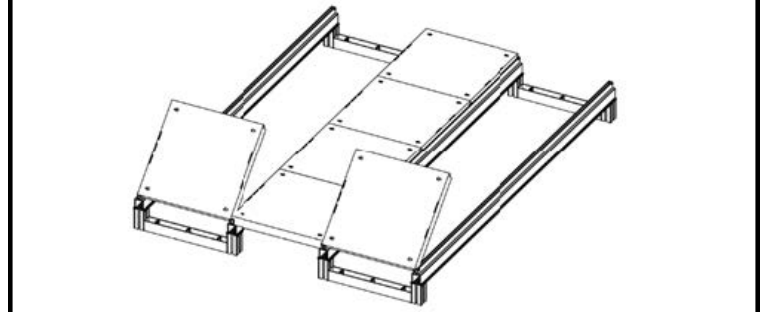


2 Install the rest of the tiles in the same manner. Tap the tiles tightly against one another using a rubber mallet. To improve the appearance of the installation, make sure the tiles are all oriented in the same direction.

OPTIONAL



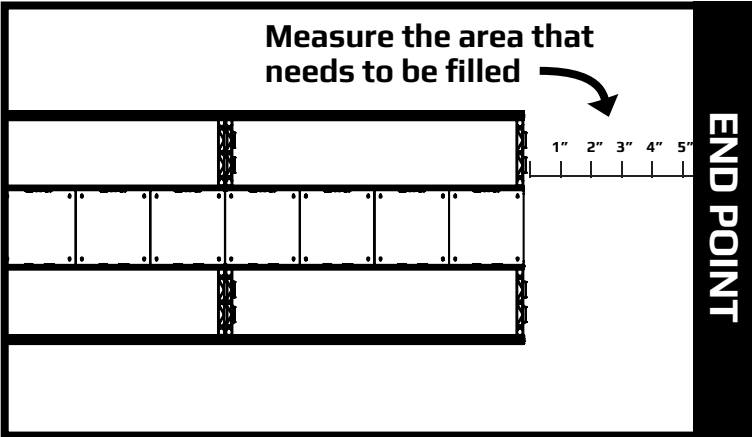
3 Pick the anchor point in the Cross Brace that you want to use to secure the platform. With the 3/16" concrete drill bit in the drill, slide the bit through the hole until contact is made with the floor. Making sure that the bit is kept perpendicular to the floor, Drill to a depth of 2". Vacuum or sweep the debris before screwing the anchor into the hole. Do not over tighten.



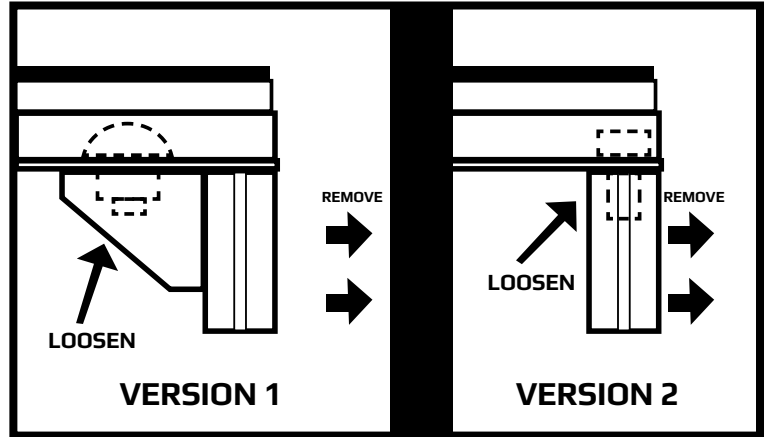
4 Complete installation of the tiles on the Platform Kits.



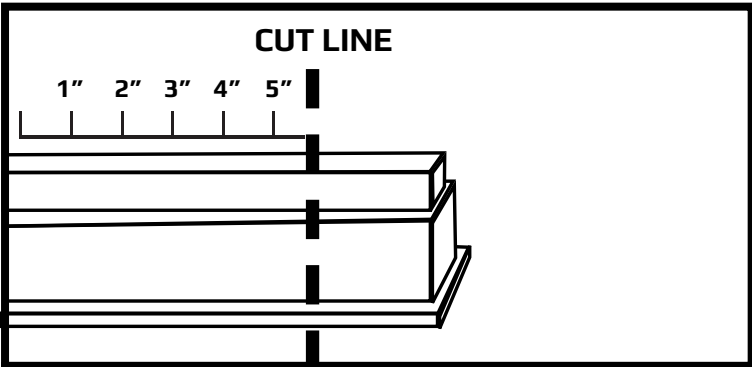
CUSTOMIZING DIY TILE LENGTH



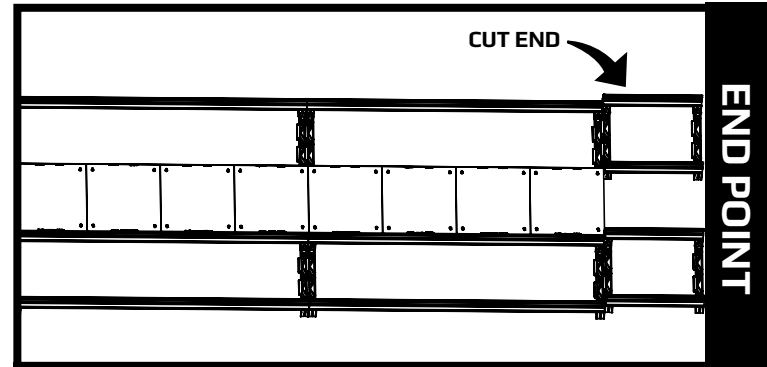
1 Measure the length needed to complete the row.



2 Using a new set of Leg/Beam Assemblies, remove the leg from the end of each Leg Beam Assembly. Loosen the top bolt holding the leg to the beam with a 1/2" wrench and remove the Leg.

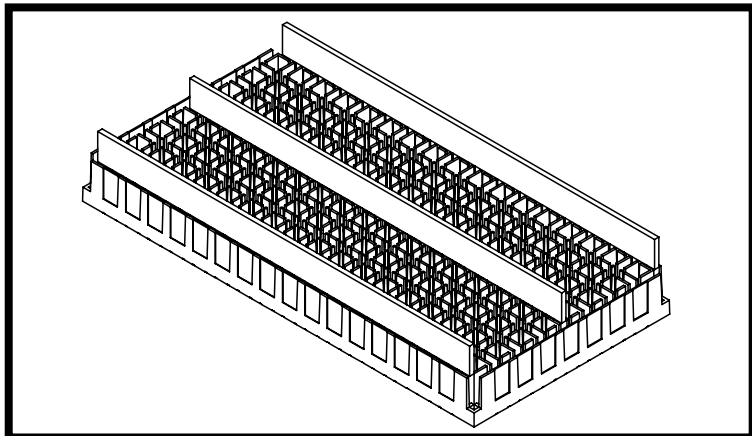


3 Cut both Beams to the desired length and remove any burrs to prevent cuts. Slide the legs back into the beams and tighten the bolt while holding the leg straight and inline with end of the beam.

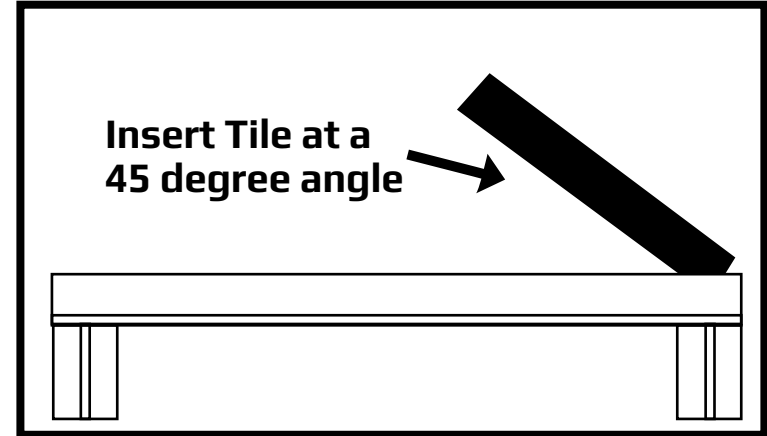


4 Assemble the frame and install with the cut end against the end of the other frames in the row.

Install as many 18x18 tiles as will fit on the custom section. If there is space left on the beams, measure the length and cut one of the DIY Tiles along one of the 18" sides so it will be the proper size to fit the space. The minimum width the DIY Tile should be cut is 2 5/8". Some installations will require 2 cut DIY Tiles side by side to fill the needed space.

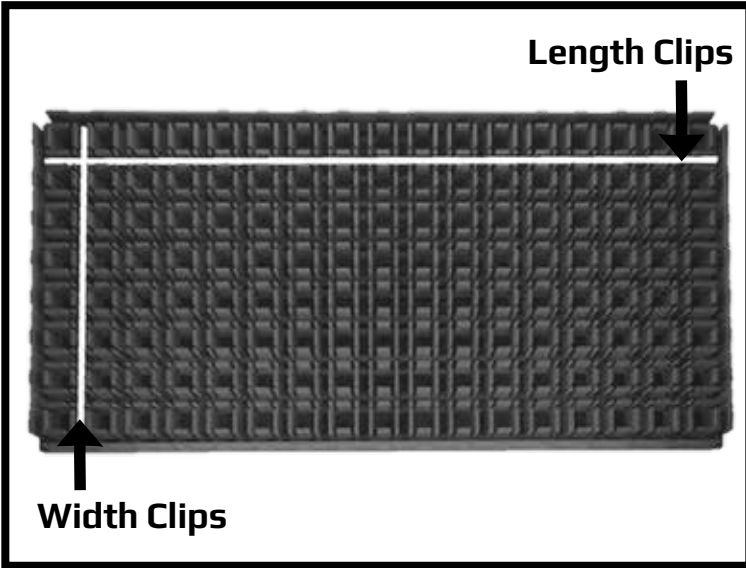


5 The bottom of the DIY Tile is a grid of slots that form the clip connectors that hold the support strips and attach to the Beams. Insert one Support Strip into the slot on each outside edge of the tile as shown and one in the middle.

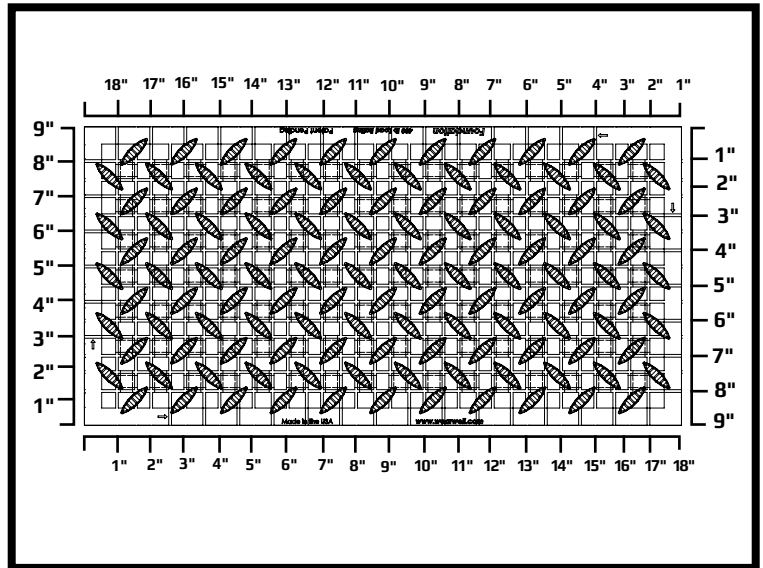


6 Install the tile starting at a 45 degree angle before pressing into place. Do not put a DIY Tile at the edge the platform unless that edge is up against an obstacle. They are not meant to be the edge of a step.

CUSTOMIZING WIDTH

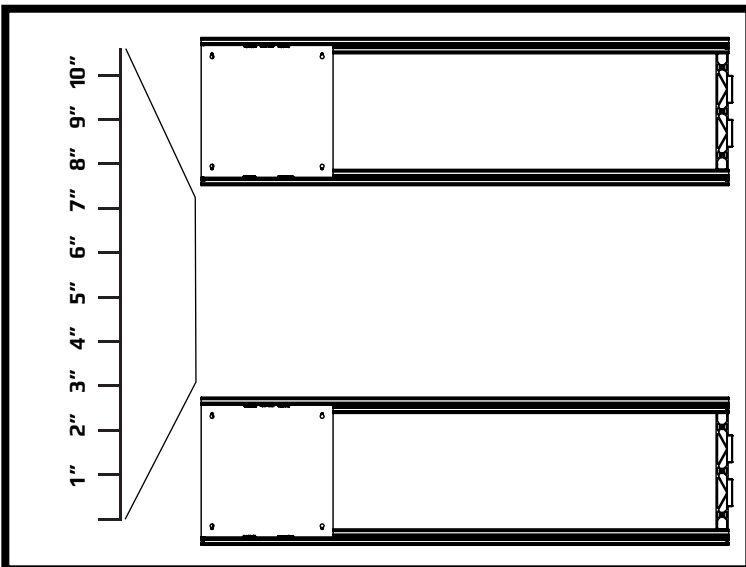


1 The bottom of the DIY Tile is a grid of Clips that slide into the Beam Channel. Beside each of those slots is a groove where you can cut while leaving the tabs that connect the tile to the beam. The support strips also go in these Clips and supply the strength to the DIY Tiles and MUST be installed so that they run between the beams.



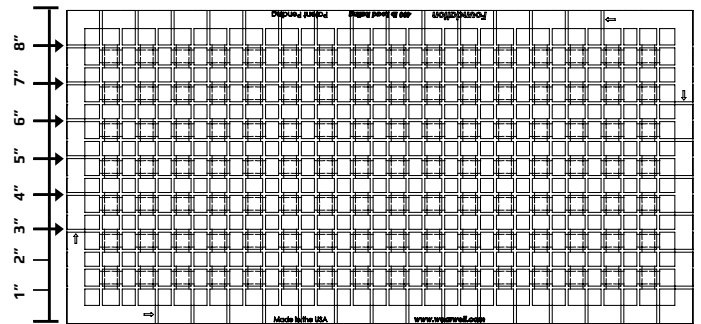
2 The surface of each tile has arrows that point in the direction that the tape should run. The arrow points to the first of a series of lines called cut guides along that side. These coincide with the grooves in the bottom where the tile can be cut and still be able to connect.

For cuts less than 9"



3 Install 1 tile on each of the frames in the rows adjacent to the smaller gap and measure the distance between them.

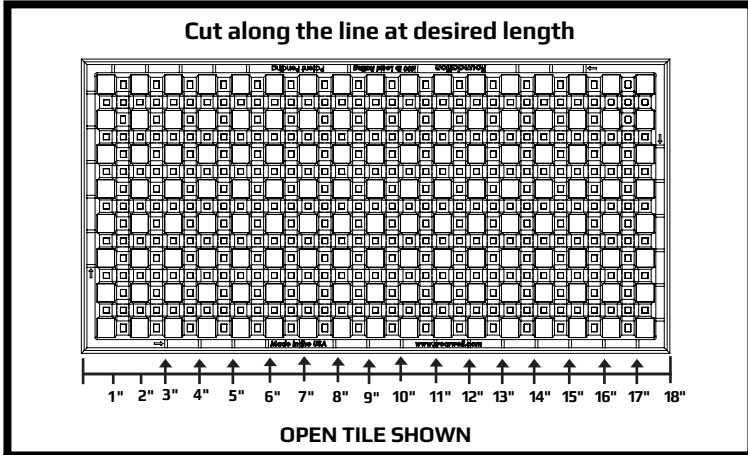
Cut along the line at desired length



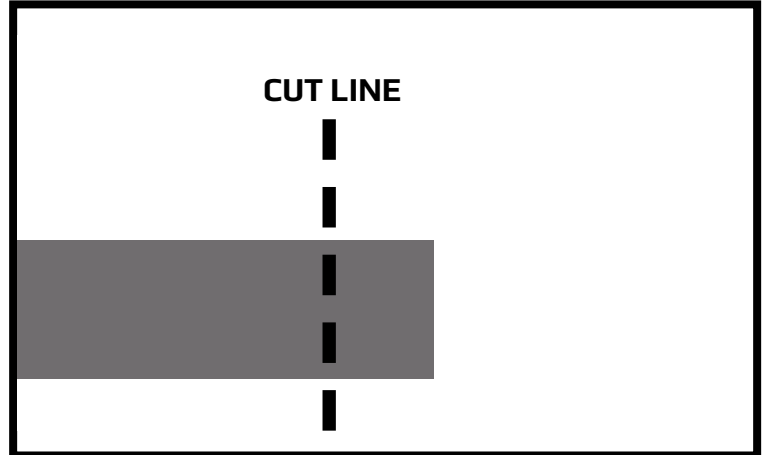
SMOOTH TILE SHOWN

4A Place the tape measure on the top of the DIY Tile you wish to cut with the end up against the bottom left as shown above. The top of the tiles have cut guides molded into them. Find the cut guide line that extends all the way to the edge with the tape on it that is less than or equal to the distance measured in step 3 and cut along that line.

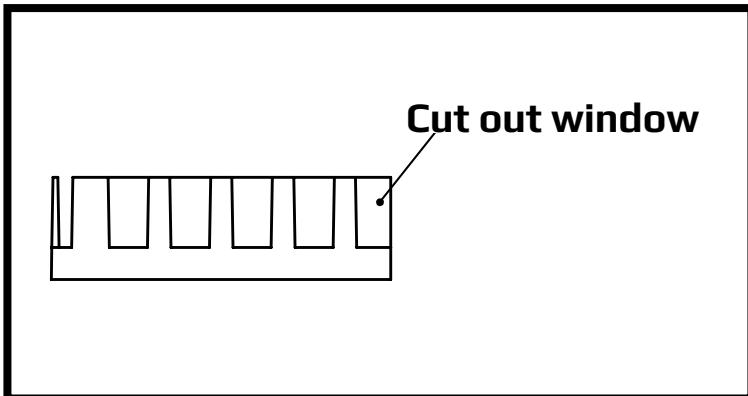
For cuts more than 9"



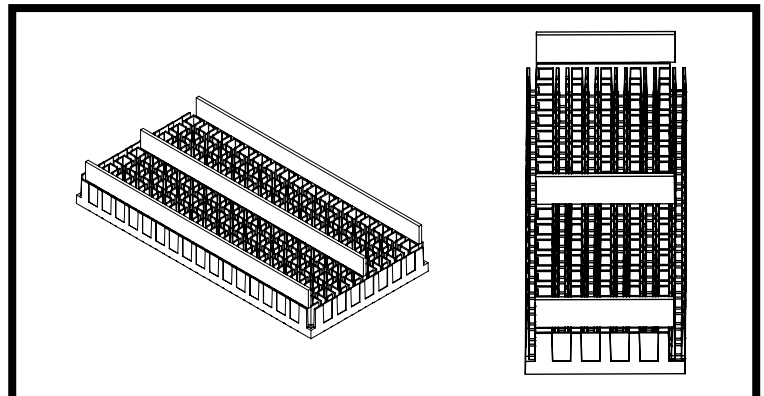
4B Place the tape measure on the top of the DIY Tile you wish to cut with the end up against the bottom left as shown above. The top of the tiles have cut guides molded into them. Find the line that extends all the way to the edge with the tape on it that is less than or equal to the distance measured in step 3 and cut along that line.



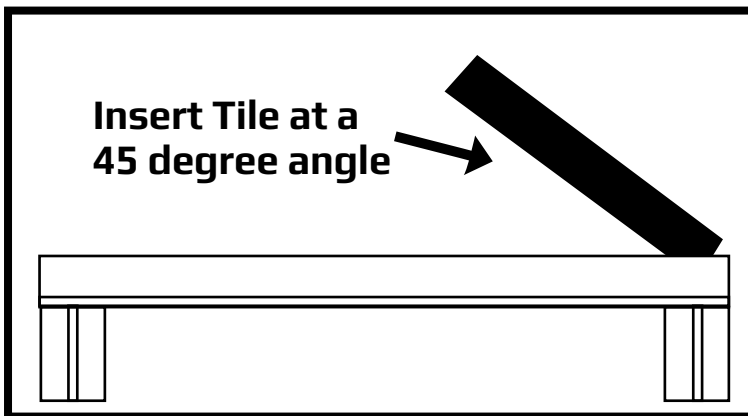
5 Cut support strips 3/4" shorter than the tile was cut.



6 Cut out window on both sides of the tile with snips.



7 Install 1 Support Strip on each outside edge and one in the middle of the DIY Tile so that they will end up perpendicular to the beams the tile is connecting.

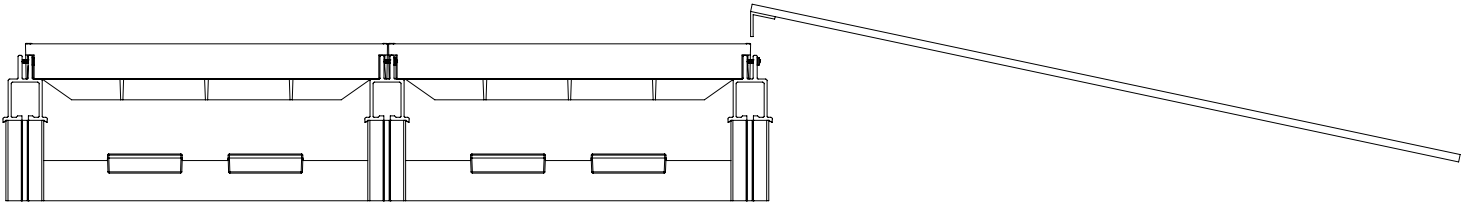


8 Install the tile starting at a 45 degree angle before pressing into place. Repeat as necessary

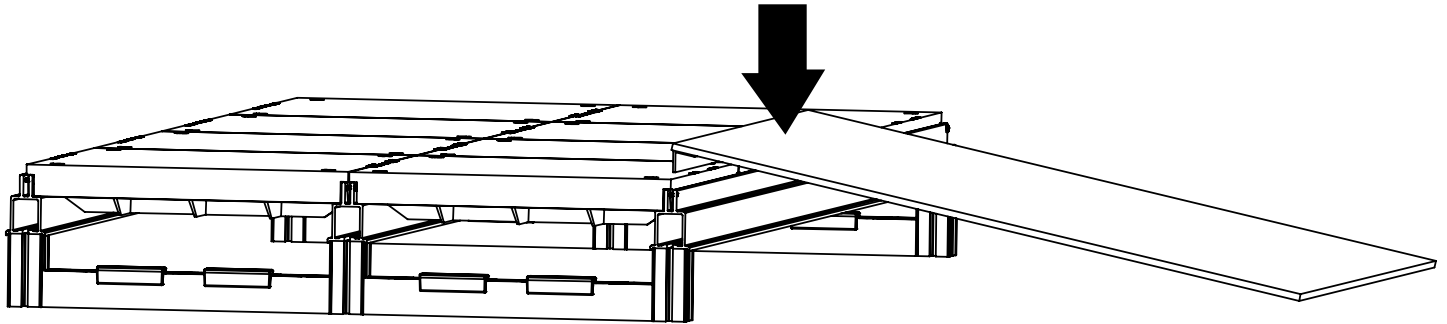
FOUNDATION
by WEARWELL

Visit Us Online at
Wearwell.com/FOUNDATION

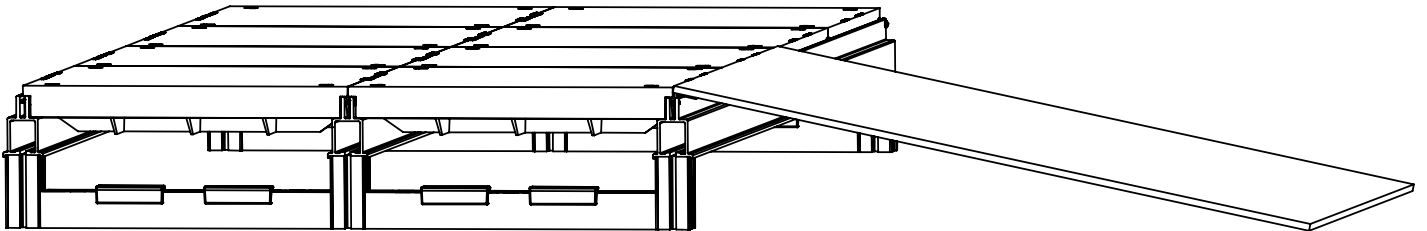
RAMP INSTALLATION



1 Lift the end of the ramp with the angle over the beam where you want to attach the ramp.



2 Slide the angle between the channel and the edge of the tile.

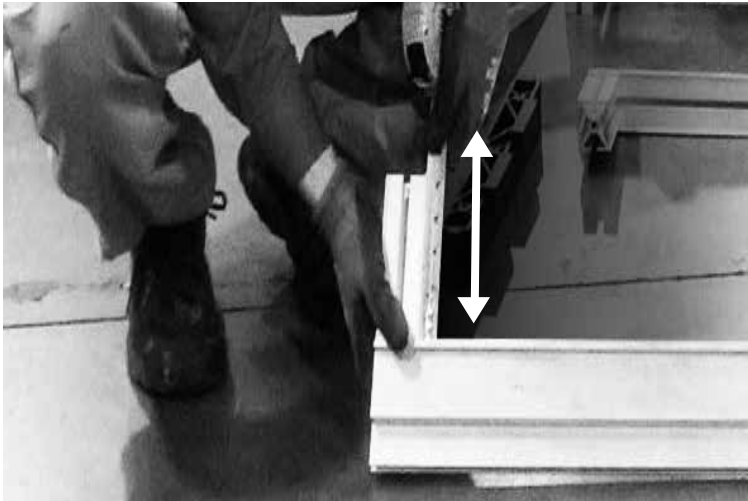


3 Repeat as necessary. Ramps can be placed side to side along a length of beams as desired.



SKIRT INSTALLATION

1 Measure leg height.



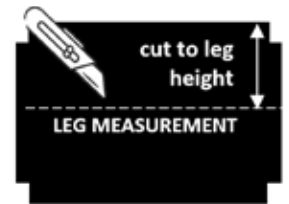
2 Measure and cut skirts.

(For legs 5" and shorter, 2 skirts can be cut from 1 sheet)

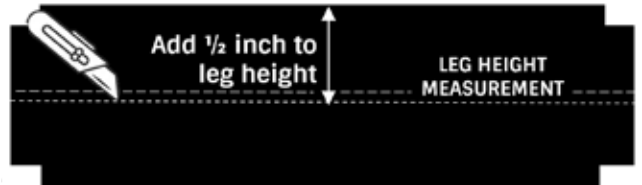
End-skirts
between kits



End-skirts over the
cross braces of kits

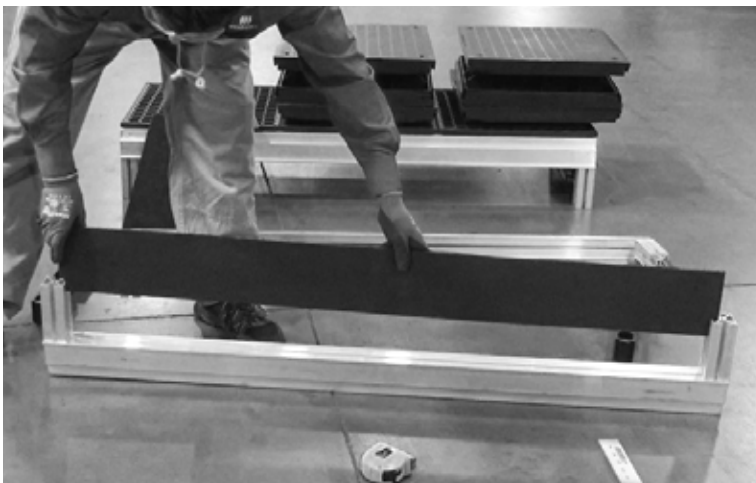


For beam skirts



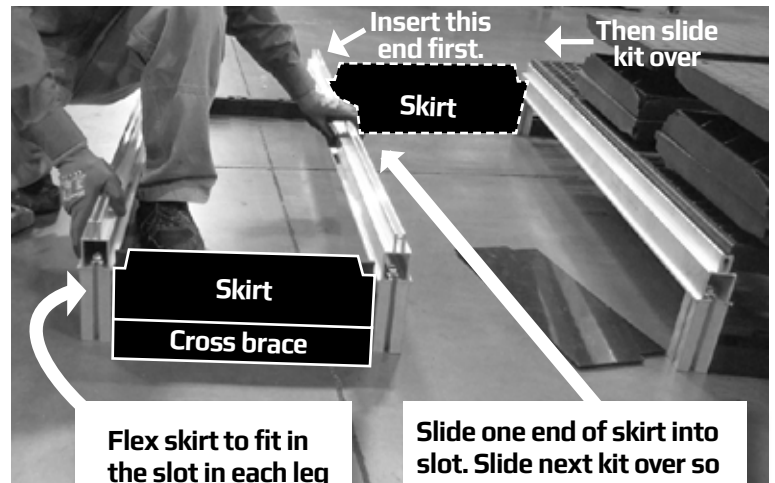
3 Install Beam Skirts

With the leg and beam assembly upside down, slide the beam skirt into the legs and beam.

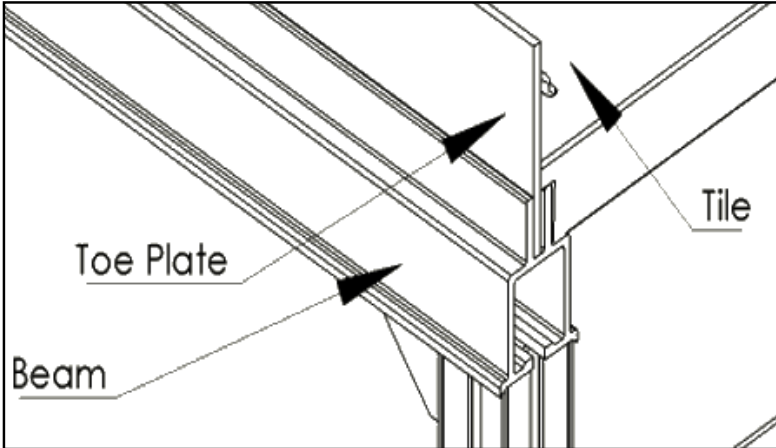


4 Install End Skirts

There are 2 positions for the end skirt. One skirt goes over the cross brace and one that goes between the kits.

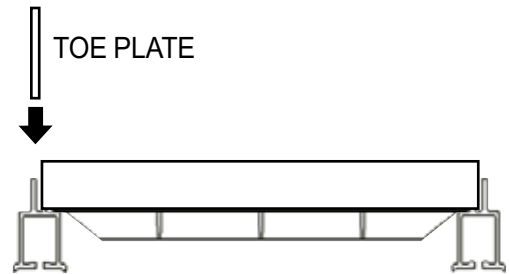


TOE PLATE INSTALLATION



SIDE BEAM INSTALLATION

- Using a rubber mallet, insert the toe plate between the tile and the slot next to the tile.
- Ensure the toe plate side beam is secure along the length of the FOUNDATION platform.



END PLATE INSTALLATION

- Pick each leg up and slide the bolt into the slot.
- Starting at one end hold the toe plate, bolt and slide the bolt into the hole.
- Hand tighten the nut onto the bolt.
- Repeat with the remaining bolts.
- Slide toe plate up to the top and tighten bolts.

